

UDS

CSM
EST 1967

*UDS-TATRA
EXCAVATOR*



UDS 214

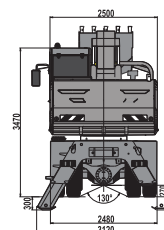
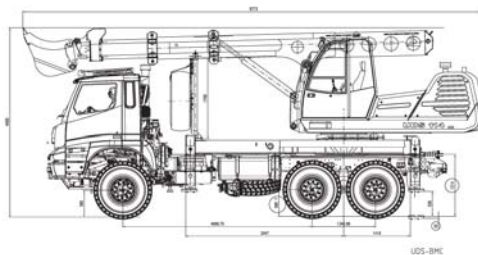
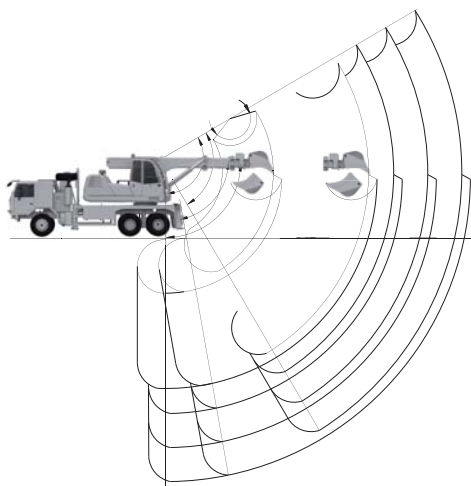
Multi-purpose telescopic excavator
and lifting machine in 1





UDS 214

Self-propelled, multi-purpose landscaping machine mounted on TATRA chassis. The machine is intended for support of engineer troops in the preparatory and support work at the same time and finds its application wherever there is a need for immediate action to save lives and property, during natural disasters. It also plays an important role in military deployment, in securing technical means and structures supporting the operation of combat units.



Main advantages



- › Mobility
- › Working range
- › Microtravel
- › Filter-ventilation cabin against chemical and biological attacks
- › Working machine and lifting equipment
- › Rotating head
- › Armored version

› **Mobility**

Telescopic excavator on automotive chassis, large working radius with fast moving between positions. Excellent possibility in difficult terrain, thanks to the automobile chassis.

› **Working range**

The unique construction of the telescopic boom allows in the basic design horizontal reach 14.6 m.

› **Microtravel**

The possibility of controlling the chassis from the excavator cab increases the work productivity and UDS operability in the workplace. An operator controls movement, turning and stabilization of the machine without getting into the chassis cab.

› **Universal working machine and lifting equipment 2in1**

By quickly changing the working equipment (instead of bucket, hook) the machine can lift up to 7.5 tons of material.

› **Rotating head**

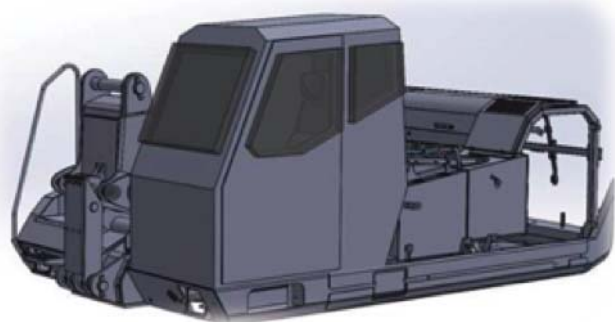
The possibility of rotating the tool in the full range of 360 degrees increases machine variability during excavation works or in the use of additional equipment, e.g. hydraulic hammer, mulcher, nippers, blade, hoisting gear, hook, shovel, etc.

Armored version

Chassis with armored cabin, ballistic protection STANAG LEVEL 2a and 2b UDS 214 superstructure WITH armored air conditioning operator's cabin.

Armored protection of hydraulic parts and diesel engine STANAG LEVEL 1.

The electrical installation, SOCKETS and anchorage point comply with STANAG norms.

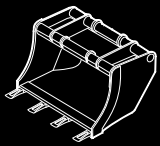


MAIN USAGE OF UDS-TATRA EXCAVATOR IN THE COMBAT ZONES

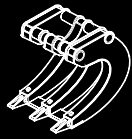
1. Building and maintenance of infrastructure (bridges, roads) in war zones
2. Excavating and finishing earthworks - fast mobility between stations
3. Construction of routes
4. Cleaning of banks, rivers and streams during floods
5. Building of engineering networks in unrestrained disasters and natural catastrophes
6. Replacement of a normal excavator in crises areas or war zones
7. Building combat outposts
8. Protection of soldiers against mines, snipers etc.
9. Low maintenance and cheaper than a heavy recovery tank. Lifting up to 7,5 tons
10. Protection of the situation by a cabin weapon station



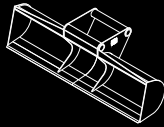
Additional attachments



Shovel



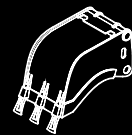
Pavement-tearing shovel



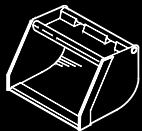
Leveling shovel



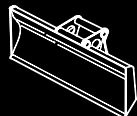
Nordstahl H7X / HRK 0800
hydraulic crusher adapter



Drain drag shovel
0,4 m / 0,5 m / 0,65 m



Tooth-free shovel 0,63m



Ploughshare



Rock Nippers



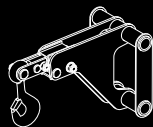
Scarifying Tool



Profile shovel 0,35 m / 0,5 m



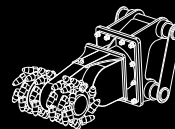
Agriculture bucket



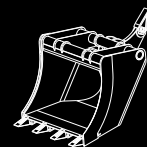
Lifting hook



Bucket with lifting hook



Hydraulic drumcutter



Bucket with removable
cutting knife

CSM

EST 1967

CSM Industry s.r.o.
Daxnerova 756
Tisovec
980 61
Slovak Republic

+421 (0) 475 494 400
info@csm.sk
www.csm.sk